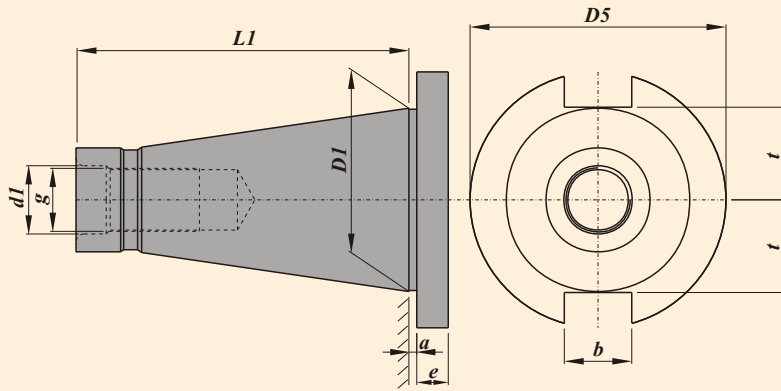


WITHOUT COOLANT (FORM A)

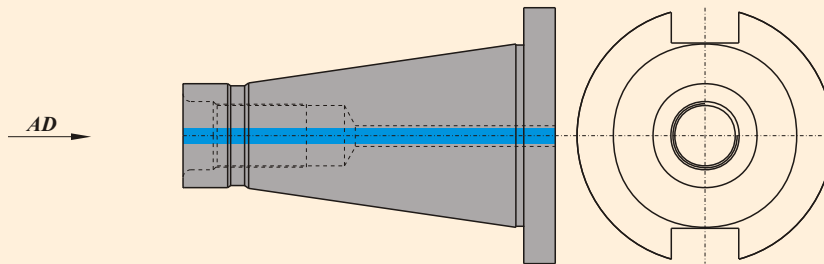
ISO DIN 2080



TAPER	D1	g	d1	D5	L1	t	e	b	a
30	31.75	M 12	13	50.0	68.4	16.2	8	16.1	1.6
40	44.45	M 16	17	63.0	93.4	22.5	10	16.1	1.6
45	57.15	M 20	21	80.0	106.8	29.0	12	19.3	3.2
50	69.85	M 24	26	97.5	126.8	35.3	12	25.7	3.2

WITH COOLANT THROUGH THE CENTRE (FORM AD)

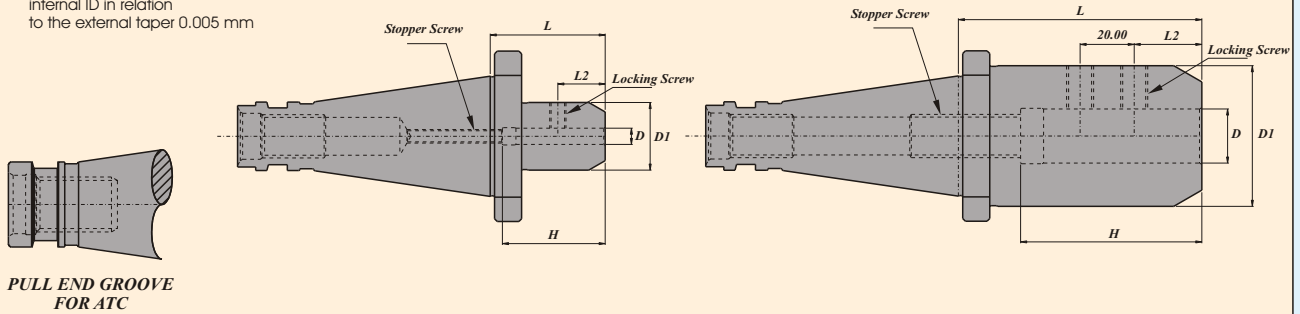
FORM AD



## SIDE LOCK ADAPTER FOR STRAIGHT SHANK TOOLS

### ISO DIN2080

Taper Angle Class AT3  
Maximum runout of the internal ID in relation to the external taper 0.005 mm



**PULL END GROOVE FOR ATC**

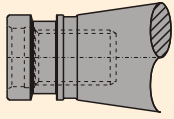
Description	ISO	D	L	D1	L2	H	Stopper Screw	Locking Screw	Quantity
ISO30SLA06065	30	6	65	20	15	40	M 5	M 6	1
ISO30SLA08065	30	8	65	24	15	40	M 6	M 8	1
ISO30SLA10065	30	10	65	30	16	44	M 8	M 10	1
ISO30SLA12065	30	12	65	35	20	44	M 10	M 10	1
ISO30SLA16065	30	16	65	40	23	52	M 12	M 10	1
ISO30SLA20090	30	20	90	50	25	70	M 16	M 10	2
ISO30SLA25090	30	25	90	50	25	70	M 20	M 10	2
ISO40SLA06065	40	6	65	20	15	40	M 5	M 6	1
ISO40SLA08065	40	8	65	24	15	40	M 6	M 8	1
ISO40SLA10065	40	10	65	30	16	44	M 8	M 10	1
ISO40SLA12065	40	12	65	35	20	44	M 10	M 10	1
ISO40SLA16065	40	16	65	40	23	52	M 12	M 10	1
ISO40SLA20090	40	20	90	50	25	70	M 16	M 10	2
ISO40SLA25090	40	25	90	50	25	70	M 20	M 10	2
ISO40SLA32090	40	32	90	60	30	70	M 20	M 10	2
ISO40SLA40090	40	40	90	60	30	70	M 20	M 10	2
ISO50SLA06075	50	6	75	20	15	40	M 5	M 6	1
ISO50SLA08075	50	8	75	24	15	40	M 6	M 8	1
ISO50SLA10075	50	10	75	30	16	44	M 8	M 10	1
ISO50SLA12075	50	12	75	35	20	44	M 10	M 10	1
ISO50SLA16075	50	16	75	40	23	52	M 12	M 10	1
ISO50SLA20105	50	20	105	50	25	70	M 16	M 10	2
ISO50SLA25105	50	25	105	50	25	70	M 20	M 10	2
ISO50SLA32105	50	32	105	60	30	70	M 20	M 10	2
ISO50SLA40105	50	40	105	60	30	70	M 20	M 10	2

Ordering Example :-  
KTA ISO40SLA06065 / Qty.- 2 Nos.

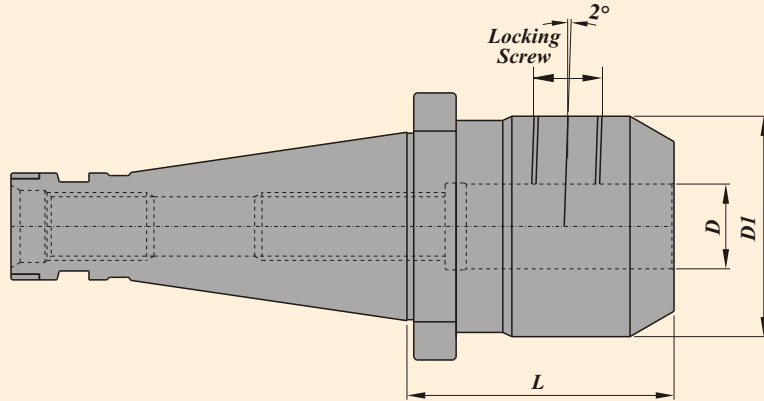
END MILL HOLDER WELDON TYPE

**ISO DIN2080  
DIN1835E**

Taper Angle Class AT3  
Maximum runout of the  
internal ID in relation  
to the external taper 0.005 mm



**PULL END GROOVE  
FOR OTT**



Description	ISO	D	L	D1	Locking Screw	Quantity	Stopper Screw
ISO30WN06045	30	6	45	25	M6	1	M5
ISO30WN08045	30	8	45	28	M8	1	M6
ISO30WN10050	30	10	50	35	M10	1	M8
ISO30WN12050	30	12	50	42	M12	1	M10
ISO30WN16063	30	16	63	48	M14	1	M12
ISO30WN20063	30	20	63	52	M16	1	M16
ISO40WN06050	40	6	50	25	M6	1	M5
ISO40WN08050	40	8	50	28	M8	1	M6
ISO40WN10050	40	10	50	35	M10	1	M8
ISO40WN12050	40	12	50	42	M12	1	M10
ISO40WN16063	40	16	63	48	M14	1	M12
ISO40WN20063	40	20	63	50	M16	1	M16
ISO40WN25090	40	25	90	65	M18 X 2	2	M20
ISO40WN32090	40	32	90	72	M20 X 2	2	M20
ISO50WN06050	50	6	50	25	M6	1	M5
ISO50WN08050	50	8	50	28	M8	1	M6
ISO50WN10050	50	10	63	35	M10	1	M8
ISO50WN12063	50	12	63	42	M12	1	M10
ISO50WN16063	50	16	63	48	M14	1	M12
ISO50WN20063	50	20	63	52	M16	1	M16
ISO50WN25080	50	25	80	65	M18 X 2	2	M20
ISO50WN32085	50	32	85	72	M20 X 2	2	M20
ISO50WN40095	50	40	95	78	M 20 X 2	2	M20

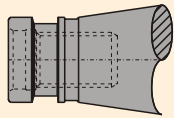
Ordering Example :-  
KTA ISO50WN40095 / Qty.- 2 Nos.

HOLDERS ALSO AVAILABLE IN DIN 1835B

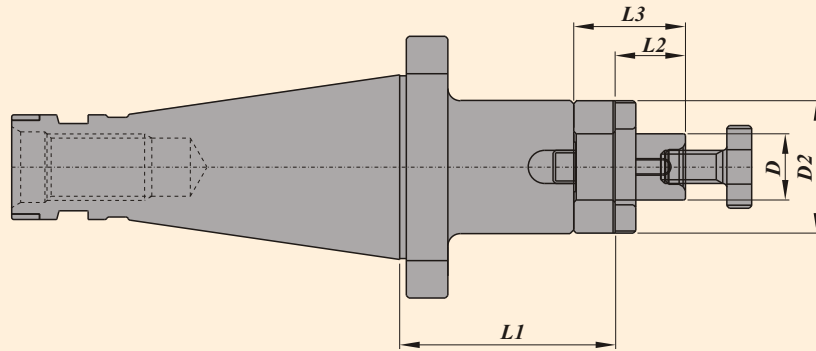
## COMBI SHELL MILL ADAPTOR

**ISO DIN2080  
DIN6358**

Taper Angle Class AT3



**PULL END GROOVE  
FOR OTT**



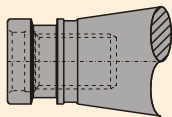
Description	ISO	D	L1	L2	L3	D2
ISO30CSMA16035	30	16	35	17	27	32
ISO30CSMA22035	30	22	35	19	31	40
ISO30CSMA27040	30	27	40	21	33	48
ISO40CSMA16052	40	16	52	17	27	32
ISO40CSMA22052	40	22	52	19	31	40
ISO40CSMA27052	40	27	52	21	33	48
ISO40CSMA32052	40	32	52	24	38	58
ISO40CSMA40052	40	40	52	27	41	70
ISO50CSMA16055	50	16	55	17	27	32
ISO50CSMA22055	50	22	55	19	31	40
ISO50CSMA27055	50	27	55	21	33	48
ISO50CSMA32065	50	32	65	24	38	58
ISO50CSMA40065	50	40	65	27	41	70

Ordering Example :-  
KTA ISO40CSMA16052 / Qty.- 2 Nos.

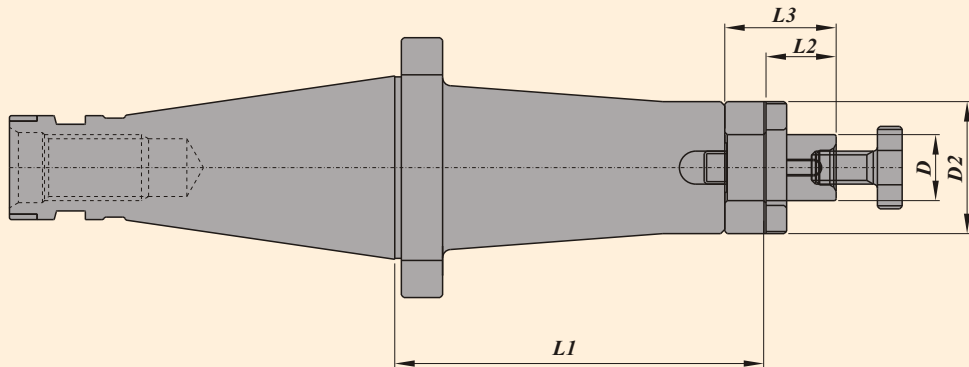
## COMBI SHELL MILL ADAPTOR (EXTRA LONG)

**ISO DIN2080  
DIN6358**

Taper Angle Class AT3



**PULL END GROOVE  
FOR OTT**



Description	ISO	D	L1	L2	L3	D2
ISO40CSMA16090	40	16	90	17	27	32
ISO40CSMA22090	40	22	90	19	31	40
ISO40CSMA27090	40	27	90	21	33	48
ISO40CSMA32100	40	32	100	24	38	58
ISO50CSMA16100	50	16	100	17	27	32
ISO50CSMA22100	50	22	100	19	31	40
ISO50CSMA27100	50	27	100	21	33	48
ISO50CSMA32100	50	32	100	24	38	58
ISO50CSMA40100	50	40	100	27	41	70

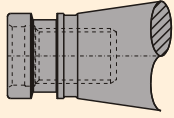
Driver Ring	Screw	Key	D	Driver Ring	Screw	Key W X L
			16	DR16 X 10	SCR16 X M8	KEY 4 X 20
			22	DR22 X 12	SCR22 X M10	KEY 6 X 25
			27	DR27 X 12	SCR27 X M12	KEY 7 X 25
			32	DR32 X 14	SCR32 X M16	KEY 8 X 30
			40	DR40 X 14	SCR40 X M20	KEY 10 X 30

Ordering Example :-  
KTA ISO40CSMA16090 / Qty.- 2 Nos.

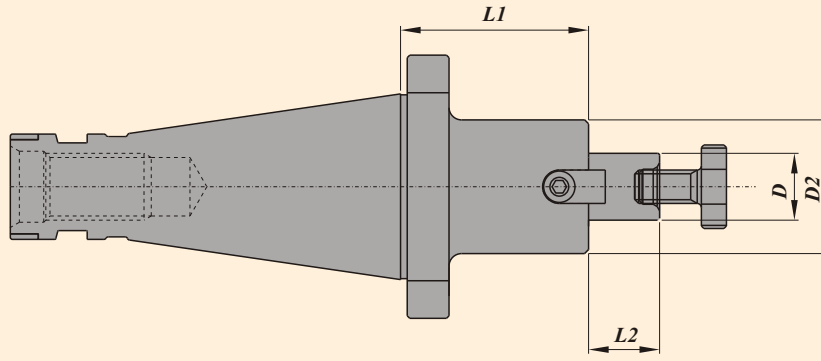
FACE MILL HOLDER TENNON DRIVER

ISO DIN 2080  
DIN3937

Taper Angle Class AT3



PULL END GROOVE FOR OTT



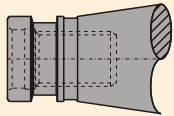
Description	ISO	D	L1	L2	D2
ISO30FMH16030	30	16	30	17	32
ISO30FMH22030	30	22	30	19	40
ISO30FMH27030	30	27	30	21	48
ISO40FMH16030	40	16	30	17	32
ISO40FMH22030	40	22	30	19	40
ISO40FMH27030	40	27	30	21	48
ISO40FMH32035	40	32	35	24	58
ISO40FMH40035	40	40	35	27	70
ISO50FMH16040	50	16	40	17	32
ISO50FMH22040	50	22	40	19	40
ISO50FMH27040	50	27	40	21	48
ISO50FMH32045	50	32	45	24	58
ISO50FMH40045	50	40	45	27	70

Ordering Example :-  
KTA ISO40FMH16030 / Qty.- 2 Nos.

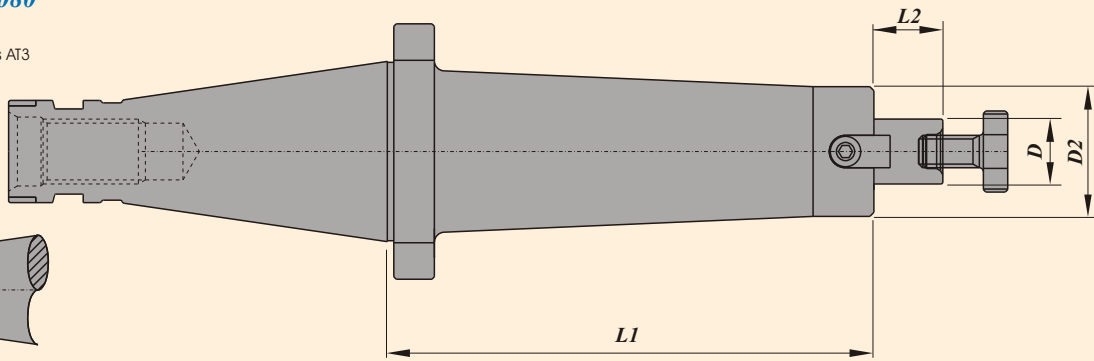
FACE MILL HOLDER TENNON DRIVER (EXTRA LONG)

ISO DIN 2080  
DIN3937

Taper Angle Class AT3



PULL END GROOVE FOR OTT



Description	ISO	D	L1	L2	D2
ISO40FMH16120	40	16	120	17	38
ISO40FMH22120	40	22	120	19	48
ISO40FMH27120	40	27	120	21	58
ISO40FMH32120	40	32	120	24	78
ISO50FMH16150	50	16	150	17	38
ISO50FMH22150	50	22	150	19	48
ISO50FMH27150	50	27	150	21	58
ISO50FMH32150	50	32	150	24	78
ISO50FMH40150	50	40	150	27	82

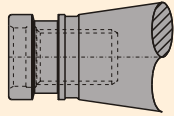
Screw	Tennon	Allen Cap Screw	D	Screw	Tennon	Allen Cap Screw
			16	SCR16 X M8	8	M4
			22	SCR22 X M10	10	M5
			27	SCR27 X M12	12	M5
			32	SCR32 X M16	14	M6
			40	SCR40 X M20	16	M6

Ordering Example :-  
KTA ISO40FMH16120 / Qty.- 2 Nos.

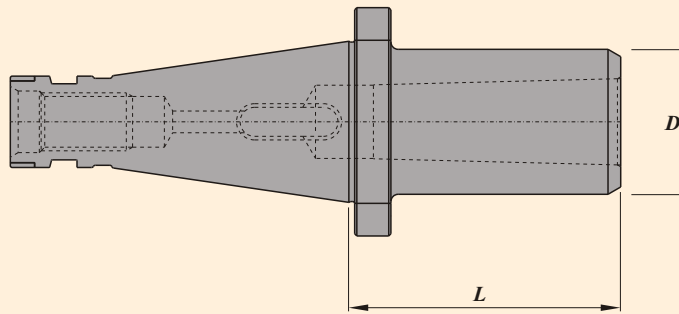
## MORSE TAPER ADAPTORS FOR DRILLS

### ISO DIN 2080 DIN228-2 Form D

Taper Angle Class AT3  
Maximum runout of the  
internal taper in relation  
to the external taper 0.005 mm



**PULL END GROOVE  
FOR OTT**



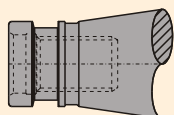
Description	ISO	MORSE	D	L
ISO30MTA01050	30	1	25	50
ISO30MTA02060	30	2	32	60
ISO30MTA03075	30	3	40	75
ISO40MTA01050	40	1	25	50
ISO40MTA02050	40	2	32	50
ISO40MTA03070	40	3	40	70
ISO40MTA04095	40	4	48	95
ISO50MTA01050	50	1	25	50
ISO50MTA02060	50	2	32	60
ISO50MTA03065	50	3	40	65
ISO50MTA04095	50	4	48	95
ISO50MTA05120	50	5	63	120

Ordering Example :-  
KTA ISO50MTA05120 / Qty.- 2 Nos.

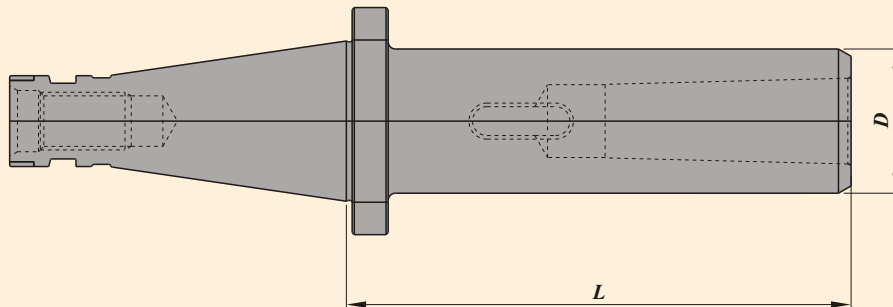
## MORSE TAPER ADAPTORS FOR DRILLS (EXTRA LONG)

### ISO DIN 2080 DIN228-2 Form D

Taper Angle Class AT3  
Maximum runout of the  
internal taper in relation  
to the external taper 0.005 mm



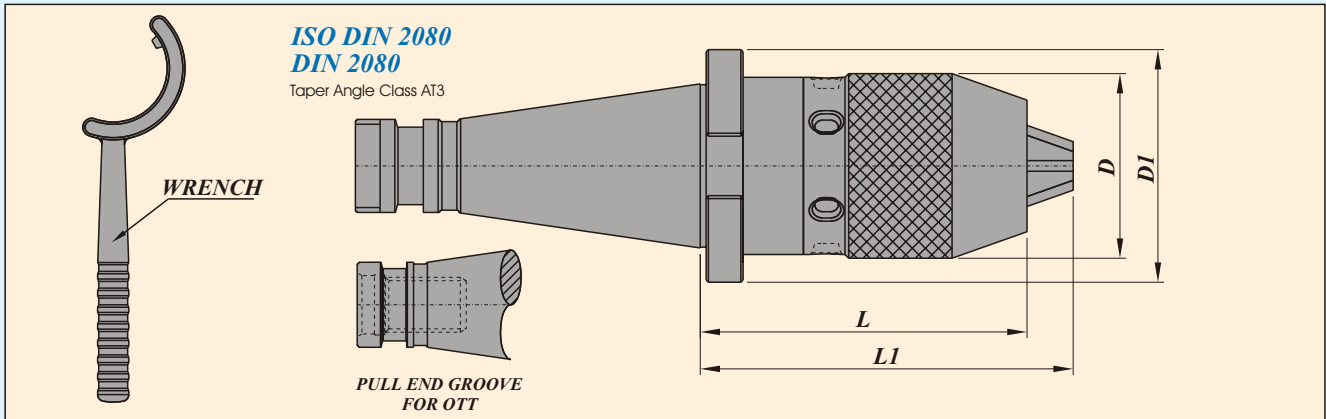
**PULL END GROOVE  
FOR OTT**



Description	ISO	MORSE	D	L
ISO30MTA01110	30	1	25	110
ISO30MTA02120	30	2	32	120
ISO30MTA03140	30	3	40	140
ISO40MTA01115	40	1	25	115
ISO40MTA02125	40	2	32	125
ISO40MTA03140	40	3	40	140
ISO40MTA01120	50	1	25	120
ISO50MTA02140	50	2	32	140
ISO50MTA03150	50	3	40	150
ISO50MTA04180	50	4	48	180
ISO50MTA05220	50	5	63	220

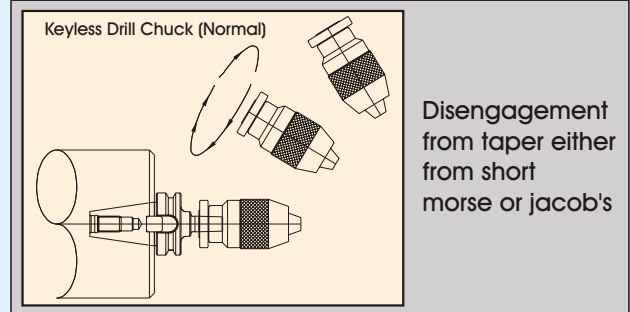
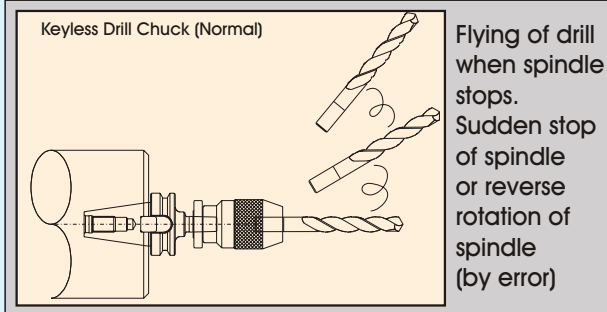
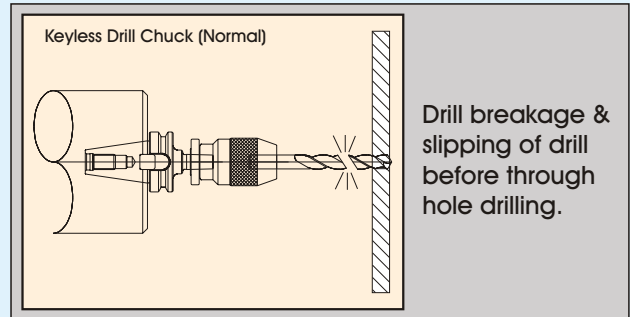
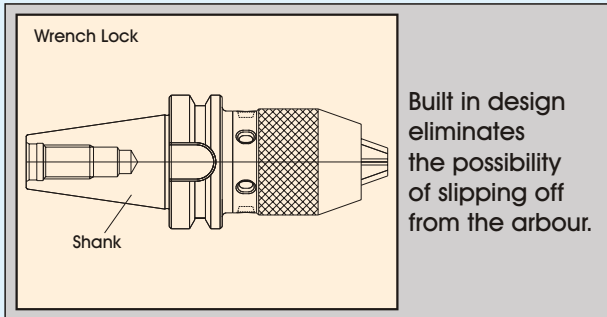
Ordering Example :-  
KTA ISO50MTA05220 / Qty.- 2 Nos.

ISO 40 SHANK NC DRILL CHUCK (OTT MAHO)

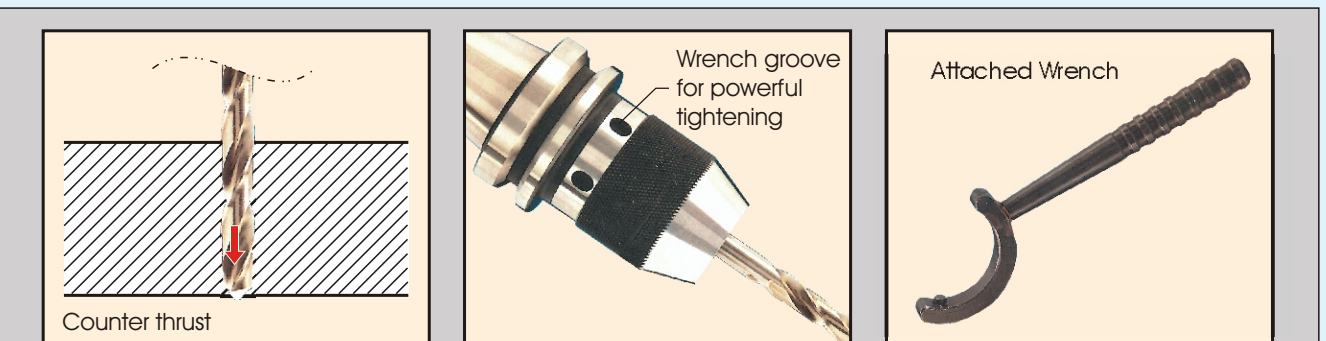


Type	D Ø	D1Ø	L	L1
ISO40(OTT) X DC113	50	63	88.5	101
ISO50 X DC113	50	63	88.5	101

Ordering Example :-  
KTA ISO40(OTT) X DC113 / Qty.- 2 Nos.



3 Times Chucking Power



Comparison data of drill chuck tightening torque

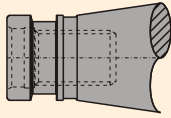
Type of drill chuck	Method of tightening	Twisting moment	Comparison %
KTA DC 113	By hand	6.9 Nm	100
KTA NC DC 113	By wrench	<b>21.8 Nm</b>	<b>300</b>

Concentricity 0.04 T.I.R.

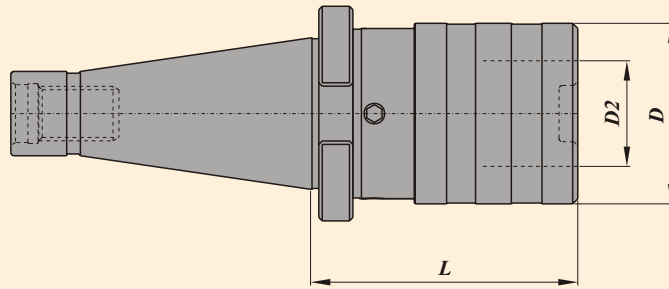
## KWFLK / ISO / MAHO (OTT) FOR TAPPING

### ISO DIN 2080

Taper Angle Class A13



PULL END GROOVE FOR OTT



Chuck Designation Size	For Taps Size	Suitable Adaptors	Length Comp.		D dia.	D2 dia.	ISO30 L	ISO40 L	ISO50 L
			Compr.	Expan.					
KWFLK1/ISO	M 3 - M 12	KWES1B	7.50	7.50	36	19	59.0	50.0	59.0
KWFLK2/ISO	M 8 - M 20	KWES2B	12.50	12.50	53	31	97.0	78.0	80.0
KWFLK3/ISO	M 14 - M 33	KWES3B	20.00	20.00	78	48	-	143.0	130.0

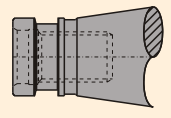
Ordering Example :-  
KTA KWFLK3/ISO / Qty.- 2 Nos.

For Adaptors refer page no. 13,14,15

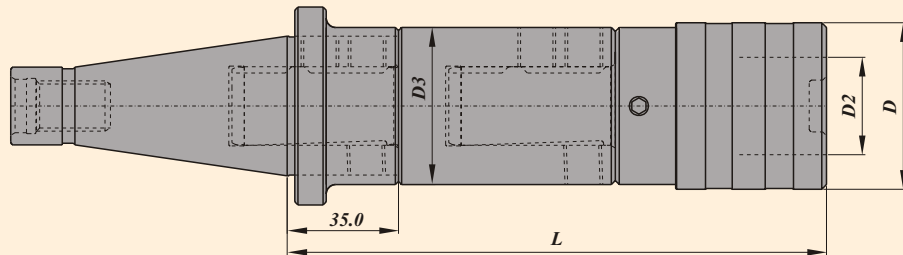
## KWFLK / ISO (EXTRA LONG SPECIAL) FOR TAPPING

### ISO DIN 2080

Taper Angle Class A13



PULL END GROOVE FOR OTT



Chuck Designation Size	For Taps Size	Suitable Adaptors	Length Comp.		D dia.	D2 dia.	D3 dia.	ISO40/L L	ISO50/L L
			Compr.	Expan.					
KWFLK1/ISO	M 3 - M 12	KWES1B	7.50	7.50	36	19	50	150 to 500	150 to 500
KWFLK2/ISO	M 8 - M 20	KWES2B	12.50	12.50	53	31	85	150 to 500	150 to 500
KWFLK3/ISO	M 14 - M 33	KWES3B	20.00	20.00	78	48	100	200 to 500	200 to 500

Ordering Example :-  
KTA KWFLK3/ISO / Qty.- 2 Nos.

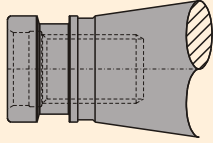
For Adaptors refer page no. 13,14,15



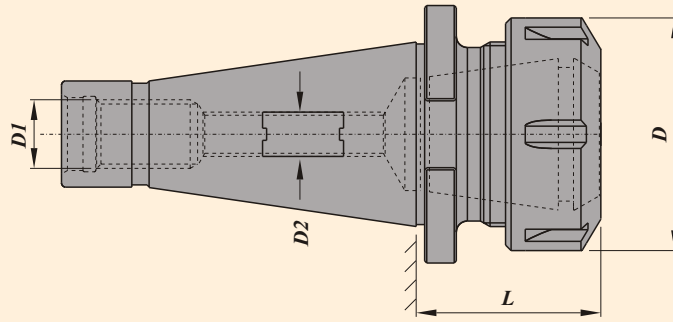
ISO SHANK 'ER' COLLET HOLDER WITHOUT COOLANT (FORM A)

**ISO A / ER  
DIN 2080**

Taper Angle Class AT3  
Maximum runout of the  
internal taper in relation  
to the external taper 0.005 mm



**PULL END GROOVE  
FOR OTT**



Collet Chuck Designation	Suitable for Collet	Collet Clamping Capacity	L	D1	D2	Nut		Spanner Designation
						D	Designation	
ISO 30 ER 16050	ER 16	0.5 - 10	50	M 12	M10	28	UM/ER 16	GS 25
ISO 30 ER 20050	ER 20	1.0 - 13	50	M 12	M10	34	UM/ER 20	E 20
ISO 30 ER 25050	ER 25	1.0 - 16	50	M 12	M 12	42	UM/ER 25	E 25
ISO 30 ER 32050	ER 32	2.0 - 16	50	M 12	M12	50	UM/ER 32	E 32
ISO 40 ER 16060	ER 16	0.5 - 10	60	M 16	M 10	28	UM/ER 16	GS 25
ISO 40 ER 20060	ER 20	1.0 - 13	60	M 16	M 10	34	UM/ER 20	E 20
ISO 40 ER 25060	ER 25	1.0 - 16	60	M 16	M 12	42	UM/ER 25	E 25
ISO 40 ER 32070	ER 32	2.0 - 16	70	M 16	M 12	50	UM/ER 32	E 32
ISO 40 ER 40080	ER 40	3.0 - 26	80	M 16	M16	63	UM/ER 40	E 40
ISO 50 ER 25065	ER 25	1.0 - 16	65	M 24	M12	42	UM/ER 25	E 25
ISO 50 ER 32070	ER 32	2.0 - 16	70	M 24	M12	50	UM/ER 32	E 32
ISO 50 ER 40080	ER 40	3.0 - 26	80	M 24	M16	63	UM/ER 40	E 40
ISO 50 ER 50100	ER 50	10.0 - 34	100	M 24	M16	78	UM/ER 50	E 50

Ordering Example :-  
KTA ISO 40 ER 16060 / Qty.- 2 Nos.

For Ball Bearing Nut (KM/ER)  
refer page no. 55,56