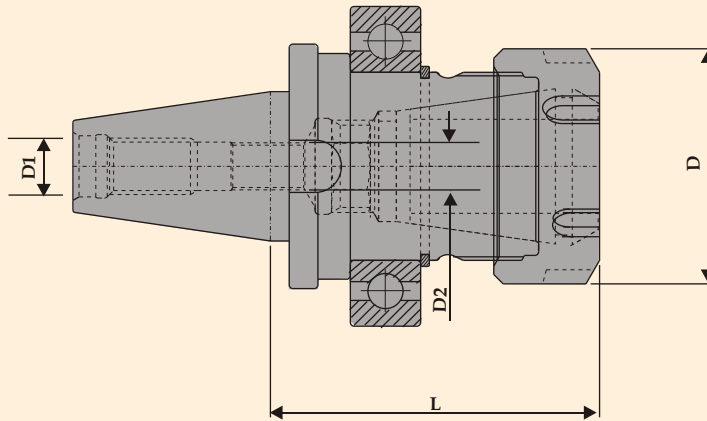


## ER COLLET CHUCK

### NT 30 / ER

Taper Angle Class AT3  
Maximum runout of the internal taper in relation to the external taper 0.005 mm

WITHOUT COOLANT THROUGH THE FLANGE FORM B



Collet Chuck Designation	Suitable for Collet	Collet Clamping Capacity	L	D1	D2	Nut		Spanner Designation
						D	Designation	
NT 30 ER 16065	ER 16	0.5 - 10	65	M 12	M 10	28	UM/ER 16	GS 25
NT 30 ER 20070	ER 20	0.5 - 10	70	M 12	M 10	28	UM/ER 16	GS 25
NT 30 ER 25070	ER 25	1.0 - 13	70	M 12	M 12	34	UM/ER 20	E 20
NT 30 ER 32070	ER 32	1.0 - 13	70	M 12	M 12	34	UM/ER 20	E 20

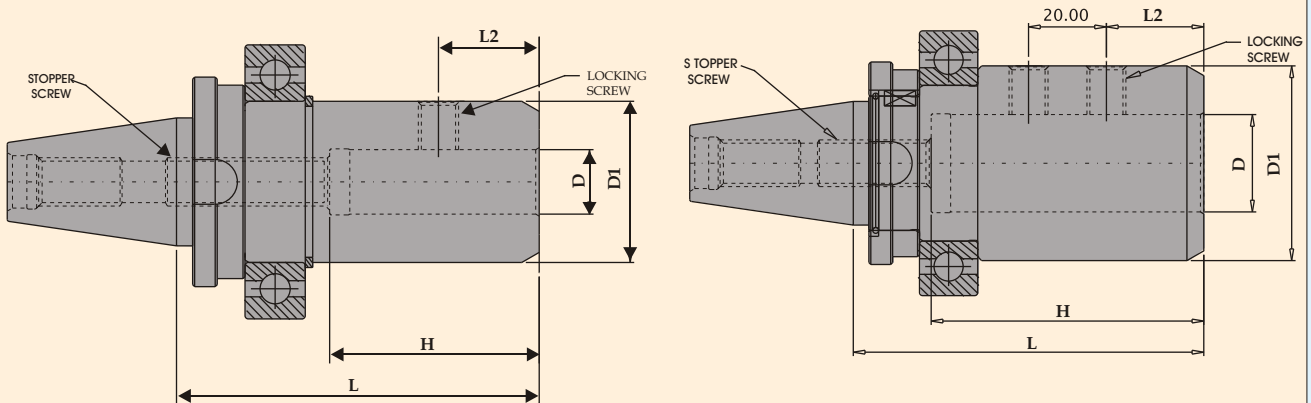
Ordering Example :-  
KTA NT 30 ER 16060 ADB / Qty.- 2 Nos.

For Ball Bearing Nut (KM/ER)  
refer page no. 55,56.

## SIDE LOCK ADAPTOR FOR STRAIGHT SHANK TOOLS

### NT 30

Taper Angle Class AT3  
Maximum runout of the internal ID in relation to the external taper 0.005 mm



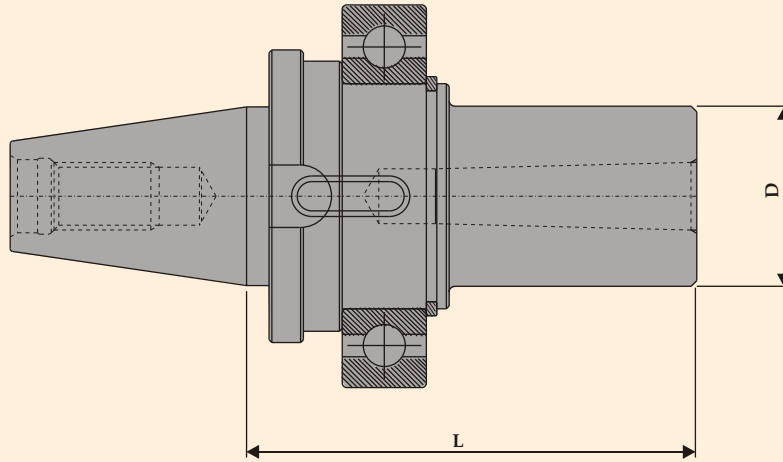
Description	NT	D	L	D1	L2	H	Stopper Screw	Locking Screw	Quantity
NT30SLA06065	30	6	65	20	15	40	M 5	M 6	1
NT30SLA08065	30	8	65	24	15	40	M 6	M 8	1
NT30SLA10065	30	10	65	30	16	44	M 8	M 10	1
NT30SLA12065	30	12	65	35	20	44	M 10	M 10	1
NT30SLA16070	30	16	65	40	23	52	M 12	M 10	1
NT30SLA20090	30	20	90	40	23	70	M 16	M 10	2
NT30SLA25090	30	25	90	50	23	70	M 20	M 10	2

Ordering Example :-  
KTA NT30SLA06065 / Qty.- 2 Nos.

## MORSE TAPER ADAPTORS

### NT 30

Taper Angle Class AT3  
Maximum runout of the internal taper in relation to the external taper 0.005 mm

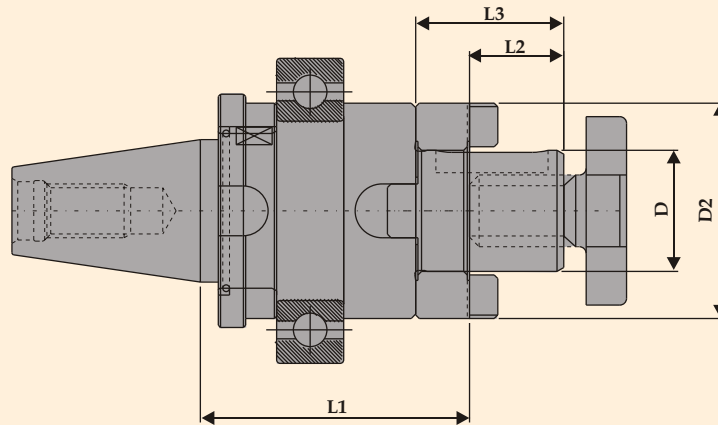


Description	ISO	MORSE	D	L
NT30MTA01060	30	1	25	60
NT30MTA02062	30	2	32	62
NT30MTA03080	30	3	40	80

## COMBI SHELL MILL ADAPTOR

### NT 30

Taper Angle Class AT3



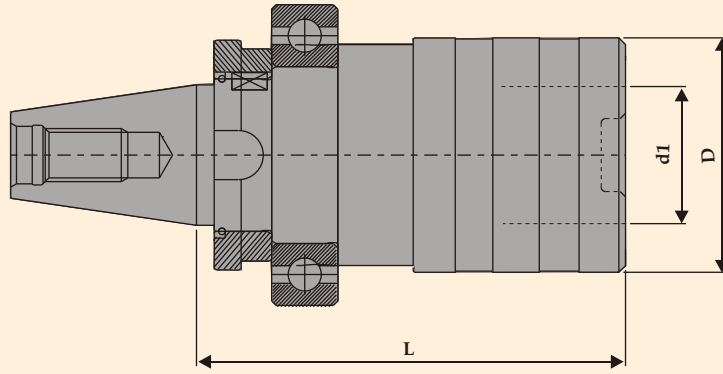
Description	ISO	D	L1	L2	L3	D2
NT30CSMA16060	30	16	60	17	27	32
NT30CSMA22060	30	22	60	19	31	40
NT30CSMA27060	30	27	60	21	33	48

Ordering Example :-  
KTA NT30CSMA16055 / Qty.- 2 Nos.

**KWFLK / NT 30 : TAPPING CHUCK**

**NT 30**

Taper Angle Class AT3

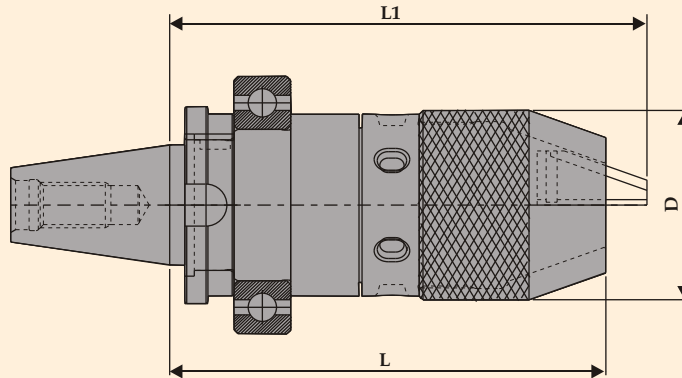


Chuck Designation Size	For Taps Size	Suitable Adaptors	Length Comp.		D dia.	d1 dia.	L
			Compr.	Expan.			
KWFLK1/NT30	M 3 - M 12	KWES1B / KWE1	7.50	7.50	36	19	64.0
KWFLK2/NT30	M 8 - M 20	KWES2B / KWE2	12.50	12.50 53	31	-	

**BT SHANK NC DRILL CHUCK**

**NT 30 NC DC 113**

Taper Angle Class AT3



Type	D Ø	D1Ø	D2 Ø	L	L1
NT30XDC113	50	48	46	108.5	121

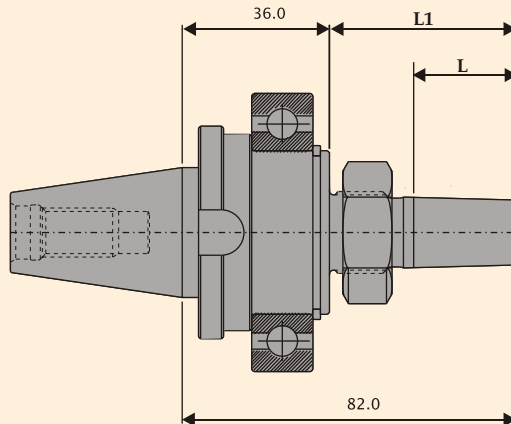
Ordering Example :-  
KTA NT30XDC113 Qty. - 2 Nos.

**ARBOR**

**NT 30**

Taper Angle Class AT3

Concentricity of external tapers is within 0.005 mm



Description	ISO	B	L	L1
NT30 B12	30	B12	18.5	39
NT30 B16	30	B16	24.0	45

Ordering Example :-  
KTA NT30 B16 /Qty. - 2 Nos.