



Revolving Centre

▣ Features :

- Three bearings construction Life long lubricated with special grease Isoflex NBU15
- Operator friendly design for dismantling & assembling. The user can change the bearings after long use or wear within few hours, all details are shown in schematic drawing.
- Easy to replace centres of standard angle to, 30 degrees angle to pipe centre.
- Main body & sleeve hardened & ground.

▣ Available In Mounting :

- MT3 Revolving Centre with Internal MT1 Taper
- MT4 Revolving Centre with Internal MT2 Taper
- MT5 Revolving Centre with Internal MT3 Taper

▣ Maximum Permissible RPM :

- For MT3 Revolving Centre : 3000 RPM
- For MT4 Revolving Center : 3000 RPM
- For MT5 Revolving Centre : 3000 RMP

▣ Axial Load :

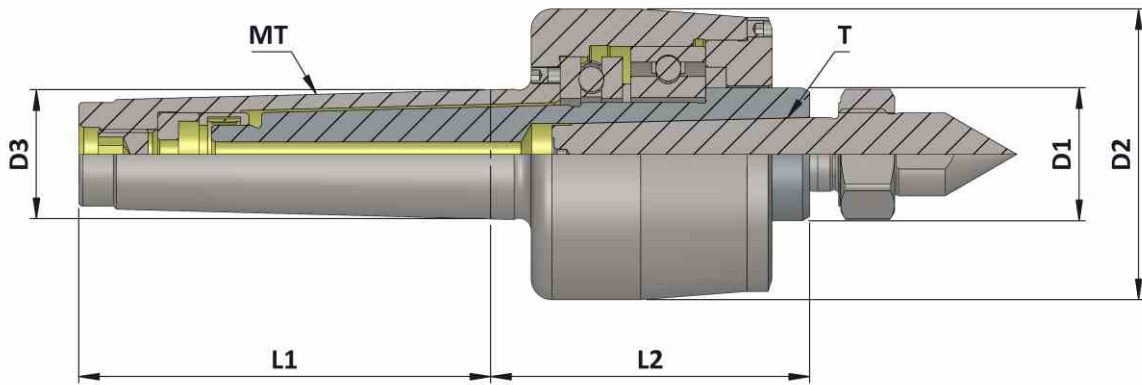
Admissible axial load at 1000 RPM for,

- MT3 Revolving Centre = 260 daN
- MT4 Revolving Centre = 450 daN
- MT5 Revolving Centre = 695 daN

▣ Accuracy :

On master mandrell within 0.010 MM MAX.

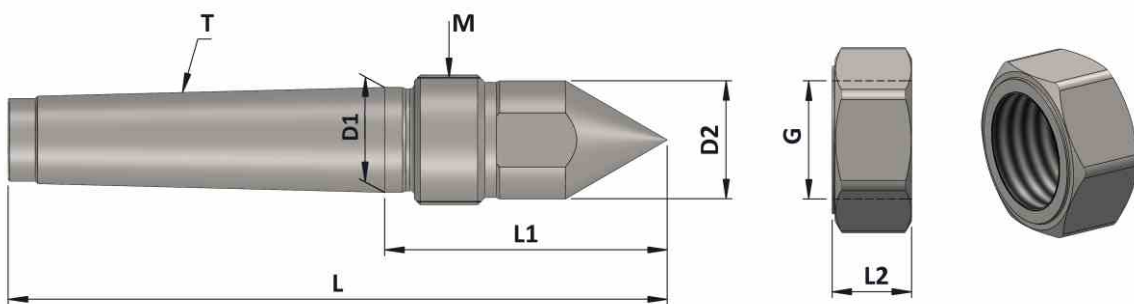




Revolving Centre

| Item Name | Item Code | D1 | D2 | D3 | T | L1 | L2 |
|---|-----------------|----|------|-------|------|-------|------|
| MT 3 REVOLVING CENTRE WITH INTERNAL MT1 TAPER | K10142290306127 | 25 | 60 | 23.85 | MT 1 | 81 | 60 |
| MT 4 REVOLVING CENTRE WITH INTERNAL MT2 TAPER | K10143290303127 | 32 | 70 | 31.27 | MT 2 | 102.5 | 73.5 |
| MT 5 REVOLVING CENTRE WITH INTERNAL MT3 TAPER | K10144290299127 | 40 | 87.5 | 44.40 | MT 3 | 129.5 | 94 |

Centre for Revolving Center with Extractor



| Item Name | Item Code | D1 | D2 | T | M / G | L | L1 | L2 |
|-------------|-----------------|-------|------|------|------------|-----|----|------|
| CENTRE MT 1 | K10147364301127 | 12.07 | 17.5 | MT 1 | M16 X 1.5p | 100 | 48 | 15.5 |
| CENTRE MT 2 | K10147365301127 | 17.78 | 20 | MT 2 | M22 x 1.5p | 112 | 48 | 15.5 |
| CENTRE MT 3 | K10147366301127 | 23.85 | 24 | MT 3 | M27 x 1.5p | 138 | 57 | 17.5 |

Note: All Dimensions are in mm