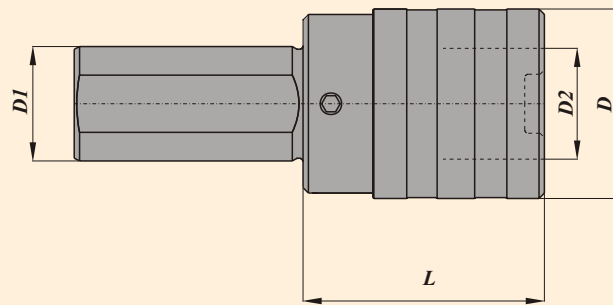


KWFLK / DIA : TAPPING CHUCK

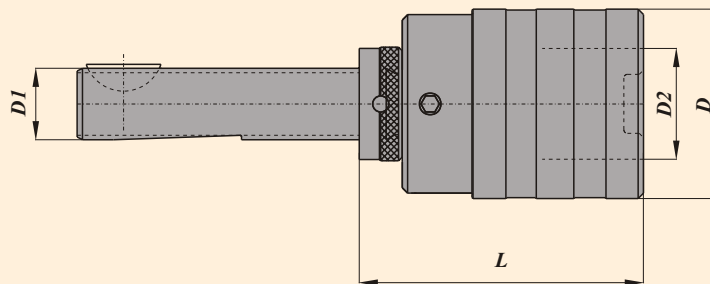


| Chuck Designation Size | For Taps Size | Suitable Adaptors | Length Comp. | | D dia. | D1 dia. | D2 dia. | L |
|------------------------|---------------|-------------------|--------------|--------|--------|----------|---------|-----|
| | | | Compr. | Expan. | | | | |
| KWFLK1/DIA | M 3 - M 12 | KWES1B / KWE1 | 7.50 | 7.50 | 36 | 25 | 19 | 40 |
| KWFLK2/DIA | M 8 - M 20 | KWES2B / KWE2 | 12.50 | 12.50 | 53 | 25/32/40 | 31 | 63 |
| KWFLK3/DIA | M 14 - M 33 | KWES3B / KWE3 | 20.00 | 20.00 | 78 | 32/40 | 48 | 125 |

Ordering Example :-
KTA KWFLK3/DIA 25 / Qty. - 2 Nos.

For Adaptors refer page no.13,14,15

KWFLK / TR .. (DIN 6327) : TAPPING CHUCK

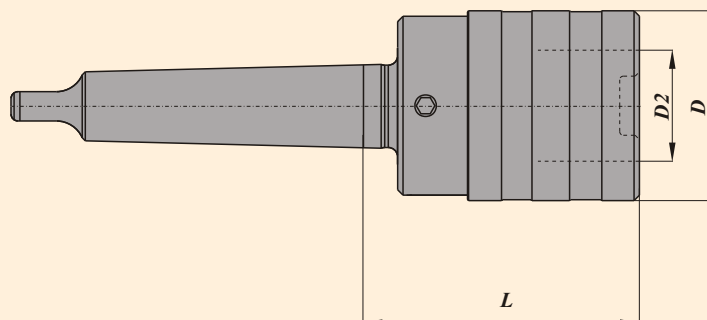


| Chuck Designation Size | For Taps Size | Suitable Adaptors | Length Comp. | | D dia. | D2 dia. | TR 16X1.5 | TR 20X2 | TR 28X2 | TR 36X2 | TR 48X2 |
|------------------------|---------------|-------------------|--------------|--------|--------|---------|-----------|---------|---------|---------|---------|
| | | | Compr. | Expan. | | | L | L | L | L | L |
| KWFLK1/TR | M 3 - M 12 | KWES1B / KWE1 | 7.5 | 7.5 | 36 | 19 | 52 | 52 | 52 | 54 | - |
| KWFLK2/TR | M 8 - M 20 | KWES2B / KWE2 | 12.5 | 12.5 | 53 | 31 | - | 76 | 76 | 78 | - |
| KWFLK3/TR | M 14 - M 33 | KWES3B / KWE3 | 20.0 | 20.0 | 78 | 78 | - | - | 109 | 111 | 115 |

Ordering Example :-
KTA KWFLK3/TR 20X2 / Qty. - 2 Nos.

For Adaptors refer page no13,14,15

KWFLK / MT .. (DIN 228) : TAPPING CHUCK



| Chuck Designation Size | For Taps Size | Suitable Adaptors | Length Comp. | | D dia. | D2 dia. | MT 2 | MT 3 | MT 4 | MT 5 |
|------------------------|---------------|-------------------|--------------|--------|--------|---------|------|------|------|-------|
| | | | Compr. | Expan. | | | L | L | L | L |
| KWFLK1/MT | M 3 - M 12 | KWES1B / KWE1 | 7.5 | 7.5 | 36 | 19 | 47 | 47 | - | - |
| KWFLK2/MT | M 8 - M 20 | KWES2B / KWE2 | 12.5 | 12.5 | 53 | 31 | - | 71 | 72 | - |
| KWFLK3/MT | M 14 - M 33 | KWES3B / KWE3 | 20.0 | 20.0 | 78 | 78 | - | - | 105 | 105.5 |

Ordering Example :-
KTA KWFLK3/MT2 / Qty. - 2 Nos.

For Adaptors refer page no. 13,14,15